

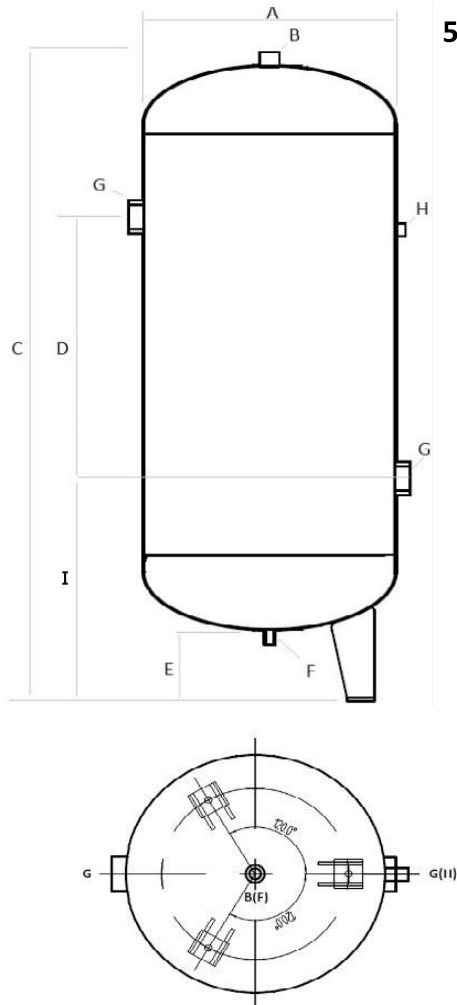
## Vertical Air Receivers

## C Series

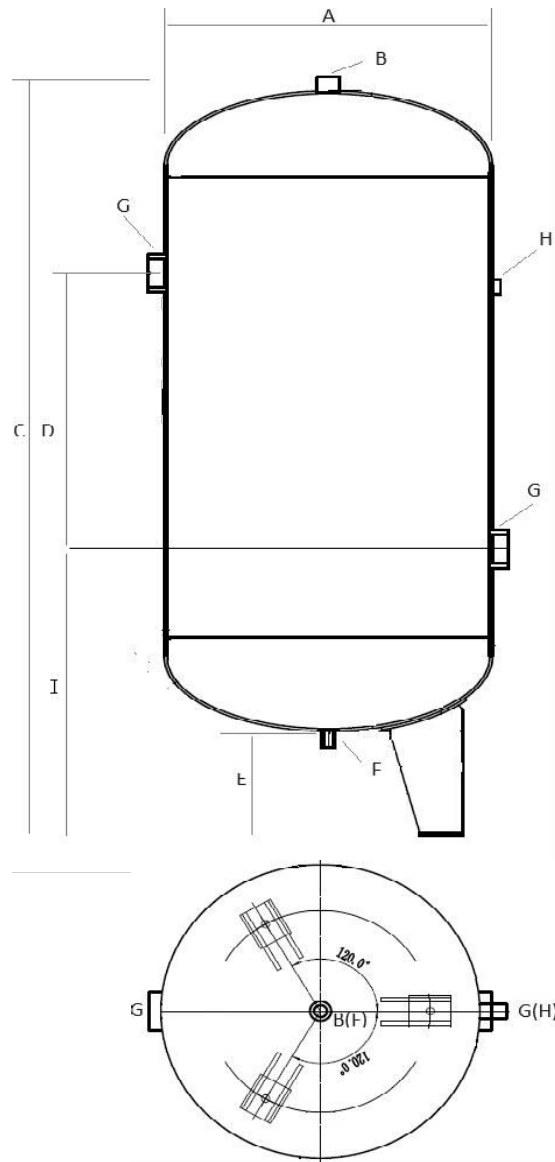
C Series vertical air receivers are designed and manufactured to the highest quality standards for safe and reliable use in industrial compressed air systems. This off-the-shelf range includes the most popular sizes, 300 and 500 litres that are finish-painted and packed ready for dispatch.

Product Code	Volume	Design Pressure		Dimensions & Weight									Weight kg
		Litres	kPa	psi	A mm	B inch	C mm	D mm	E mm	F inch	G inch	H inch	
T 300-V 10.5 bar	300	1,050	152	490	2**	1900	940	162	2*	1 1/2	1/2	537	140
T 300-V 10.5 bar	500	1,050	152	590	2**	2190	900	313	2*	2	1/2	925	207

300 litre



500 litre



\*Drain valve & inspection port.

\*\*Safety valve & inspection port.

Flanges: Class 150 per ASME B16.5.

Material: Carbon steel.

Design temperature range: 0°C to 100°C.  
 Design fluid contents: Non harmful gas.  
 Inspection openings and nameplate not shown for clarity.  
 All socket threads are BSPP (British Standard Pipe Parallel).

For improved air quality please consider our Refrigerated Dryers and Filters.